



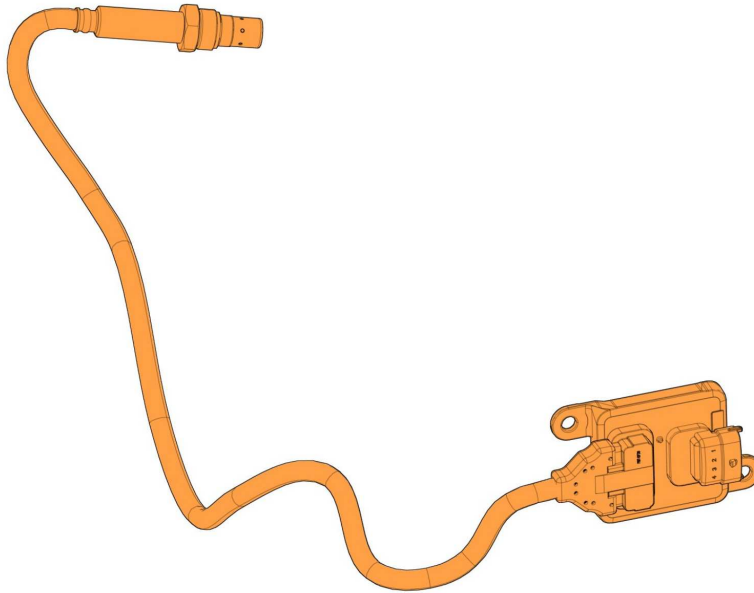
Mack Trucks, Inc.
Greensboro, NC USA

Service Bulletin Trucks

Date	Group	No.	Release	Page
12.2012	258	115	01	1(3)

NOx Sensor, Replacement
MP8 Euro5
CXU, GU

NOx Sensor, Replacement



W2078806

This information provides the correct procedure for replacing the NOx Sensor on MACK CXU, and GU chassis with MP8 Euro5.

Content

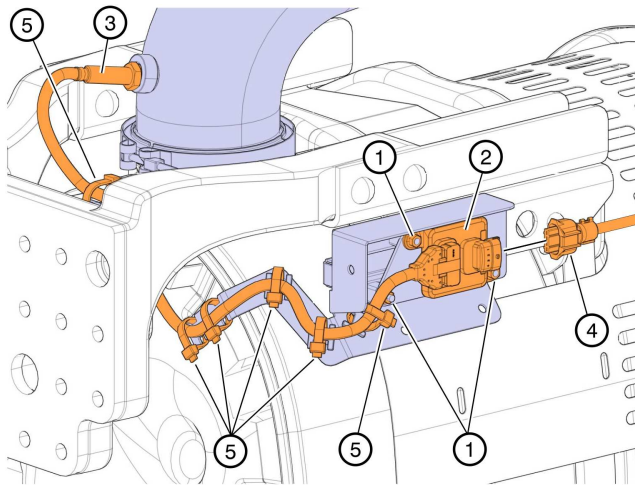
- “NOx Sensor and Control Module, Replacement”, page 2

Note: Information is subject to change without notice.
Illustrations are used for reference only and may differ slightly from the actual vehicle being serviced. However, key components addressed in this information are represented as accurately as possible.

Service Procedures

2589-03-02-10

NOx Sensor and Control Module, Replacement



W2078807

- 1 Fasteners
- 2 NOx Sensor Module
- 3 NOx Sensor
- 4 NOx Sensor Connector
- 5 Cable Ties

1

Secure the vehicle for service by parking it on a flat level surface, applying the parking brake, chocking the rear wheels, and placing the transmission in neutral or park.

2

Disconnect all battery cables from the negative (ground) battery terminals to prevent personal injury from electrical shock and prevent damage to electrical components.

3

Remove the cable ties (5) securing the NOx sensor cable.



WARNING

Hot pipes. Contact can cause burns.



CAUTION

Handle the cable carefully. Do not cut the cable when returning the component.

4

Disconnect the NOx sensor connector (4) from the NOx sensor module (2).

5

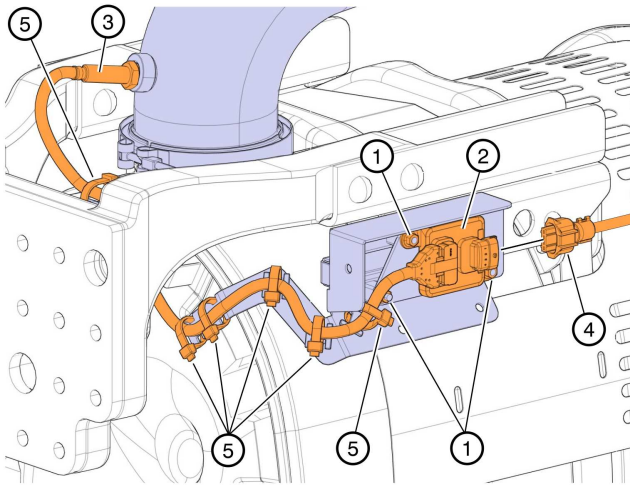
Remove the NOx sensor (3) from the aftertreatment SCR outlet pipe.

6

Remove the fasteners (1) securing NOx sensor module.

7

Remove the NOx sensor module (2) from the aftertreatment Selective Catalytic Reduction (SCR) mounting bracket.



W2078807

- 1 Fasteners
- 2 NOx Sensor Module
- 3 NOx Sensor
- 4 NOx Sensor Connector
- 5 Cable Ties

8
Using existing fasteners, assemble the NOx sensor module (2) onto the aftertreatment Selective Catalytic Reduction (SCR) mounting bracket.

9
Tighten fasteners (1) securing NOx sensor module (2) to specification. See function group 2.

10
Install the NOx sensor (3) into the aftertreatment SCR outlet pipe.

11
Connect the harness (4) to the NOx sensor module (2).

12
Using cable ties (5), secure NOx sensor cable as shown in illustration.

Note: Leave some slack in the NOx sensor cable at the sensor as shown in the illustration.

13
Reconnect all previously removed cables to the negative (ground) battery terminals.

14
Connect the Premium Tech Tool (PTT), clear diagnostic trouble codes (DTCs) and check for normal operation.